



MILESTONE
H E L P I N G
C H E M I S T S



MILESTONE

ACCESSORIES & CONSUMABLES

CATALOGUE

www.milestonesrl.com

ultraWAVE 3 7 Position Racks

The ultraWAVE 3 rack accommodates vials of different materials such as PTFE/TFM, quartz or disposable glass, and all are fitted with loose TFM caps to ensure pressure equalization. The Numbered rack tray provides the user with an easy visual indication of the vial number. Different vials material can be used along the same run.

| SAMPLE TYPE



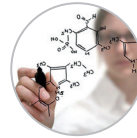
Food



Geochemistry



Metals



Research

| SAMPLE AMOUNT



Small



Medium



Large



Extra Large

| RACKS MATERIAL



Glass

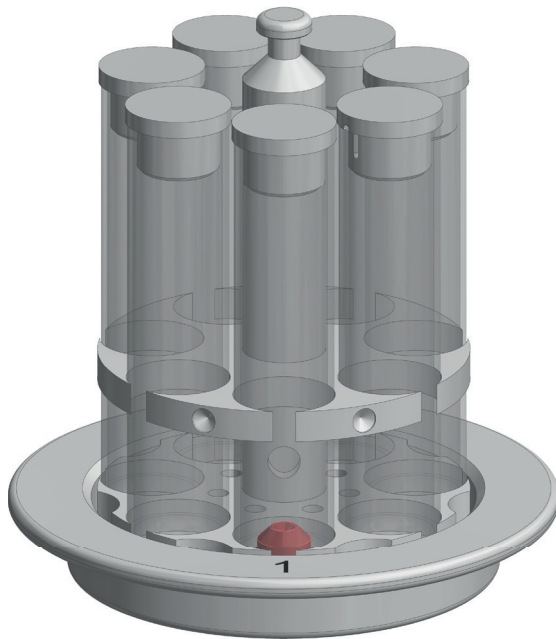


PTFE/TFM



Quartz

ultraWAVE 3 7 Position Racks



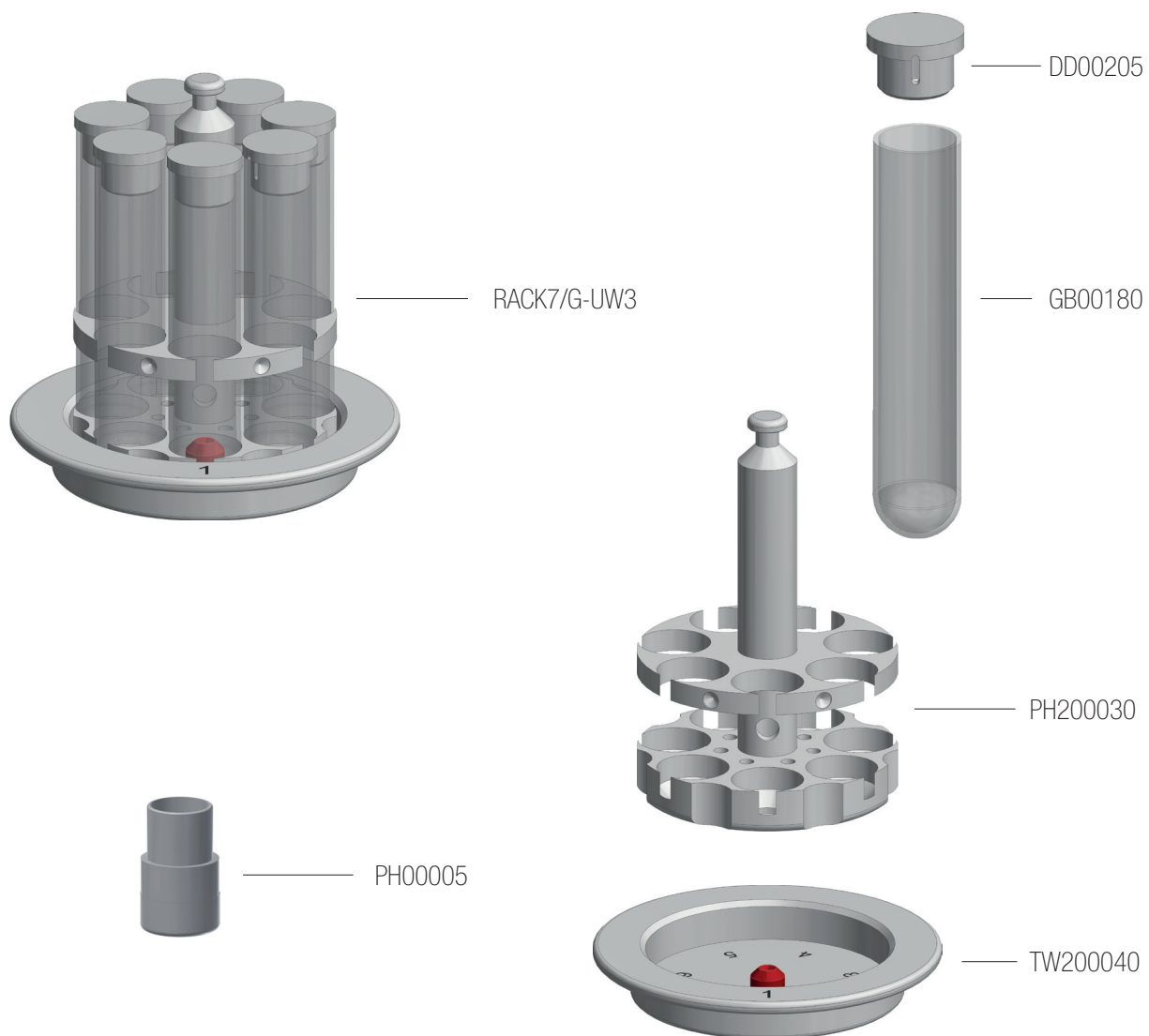
- RACK7/G-UW3 +
- RACK7/Q-UW3 +
- RACK7/T-UW3 +

P/N	Description
RACK7/G-UW3 +	7 positions rack with GLASS vials and caps
RACK7/Q-UW3 +	7 positions rack with QUARTZ vials and caps
RACK7/T-UW3 +	7 positions rack with TFM vials and caps

+ *Include subparts*

RACK7/G-UW3

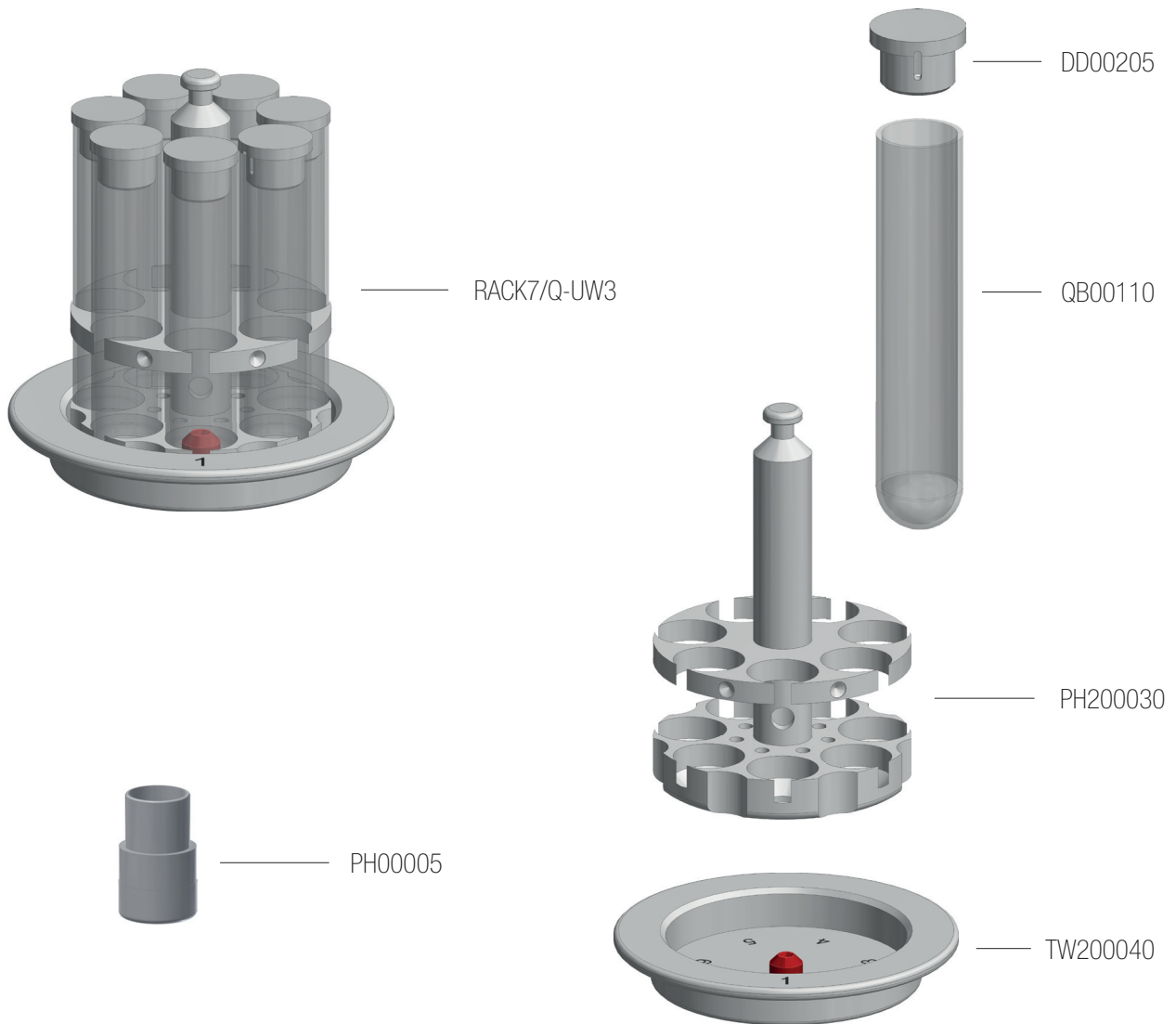
7 positions rack with GLASS vials and caps



P/N	Description
RACK7/G-UW3	7 positions rack with GLASS vials and caps
PH00005	Weighing adapter
DD00205	PTFE cap for vial Ø 25mm
GB00180	Glass vial 24/115 (Ø 24 mm/21,5 mm x 115 mm) ca. 40 ml
PH200030	Sample rack 7 positions Ø 24mm
TW200040	Rack bottom plate with 07 numbered positions

RACK7/Q-UW3

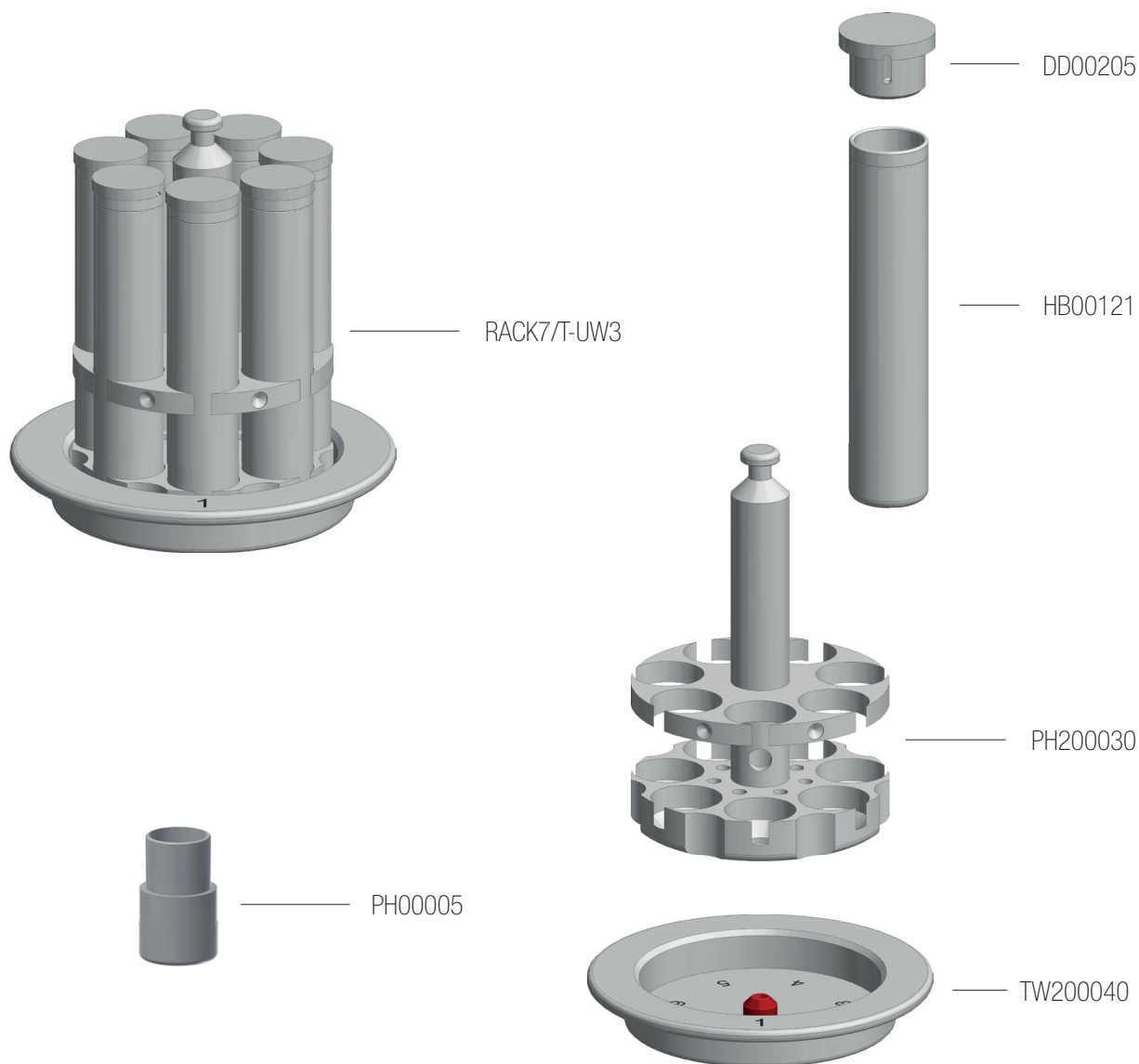
7 positions rack with QUARTZ vials and caps



P/N	Description
RACK7/Q-UW3	7 positions rack with QUARTZ vials and caps
PH00005	Weighing adapter
DD00205	PTFE cap for vial Ø 25mm
QB00110	Quartz vial 24/115 (Ø 24 mm/21 mm x 115 mm) ca. 38 ml
PH200030	Sample rack 7 positions Ø 24mm
TW200040	Rack bottom plate with 07 numbered positions

RACK7/T-UW3

7 positions rack with TFM vials and caps



P/N	Description
RACK7/T-UW3	7 positions rack with TFM vials and caps
PH00005	Weighing adapter
DD00205	PTFE cap for vial Ø 25mm
HB00121	TFM vial 24/115 (Ø 24 mm/21 mm x 115 mm) ca. 38 ml
PH200030	Sample rack 7 positions Ø 24mm
TW200040	Rack bottom plate with 07 numbered positions

ultraWAVE 3 20 Position Racks

The ultraWAVE 3 rack accommodates vials of different materials such as PTFE/TFM, quartz or disposable glass, and all are fitted with loose TFM caps to ensure pressure equalization. The Numbered rack tray provides the user with an easy visual indication of the vial number. Different vials material can be used along the same run.

| SAMPLE TYPE



Biological



Environmental



Food



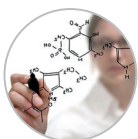
Geochemistry



Pharmaceuticals



Petrochemicals



Research

| SAMPLE AMOUNT



Small



Medium



Large



Extra Large

| RACKS MATERIAL



Glass

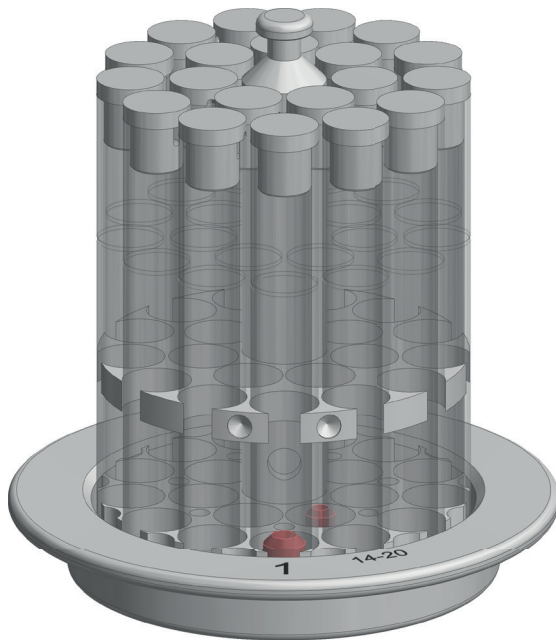


PTFE/TFM



Quartz

ultraWAVE 3 20 Position Racks



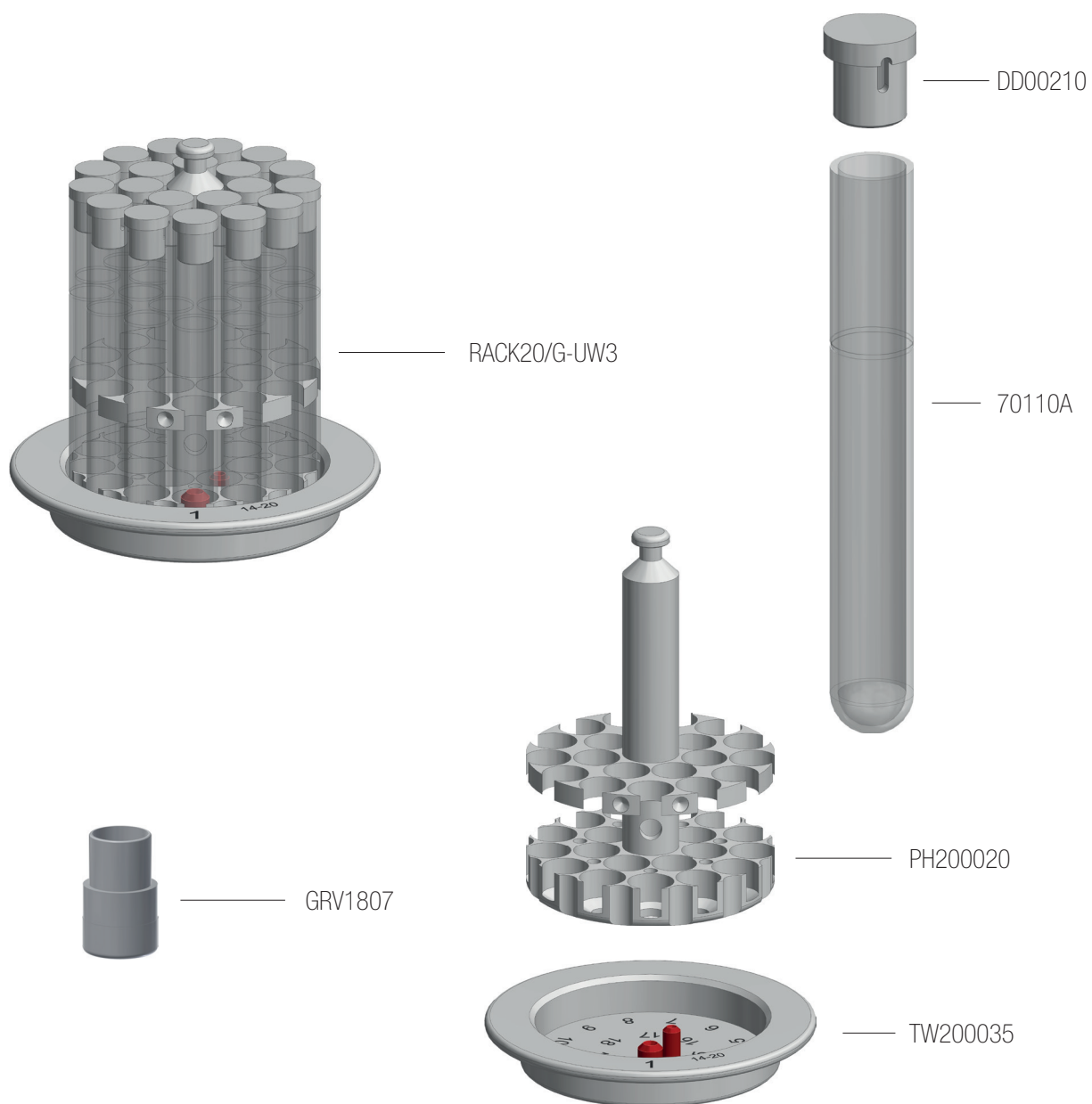
- RACK20/G-UW3 +
- RACK20/Q-UW3 +
- RACK20/T-UW3 +

P/N	Description
RACK20/G-UW3 +	20 positions rack with GLASS vials and caps
RACK20/Q-UW3 +	20 positions rack with QUARTZ vials and caps
RACK20/T-UW3 +	20 positions rack with TFM vials and caps

+ *Include subparts*

RACK20/G-UW3

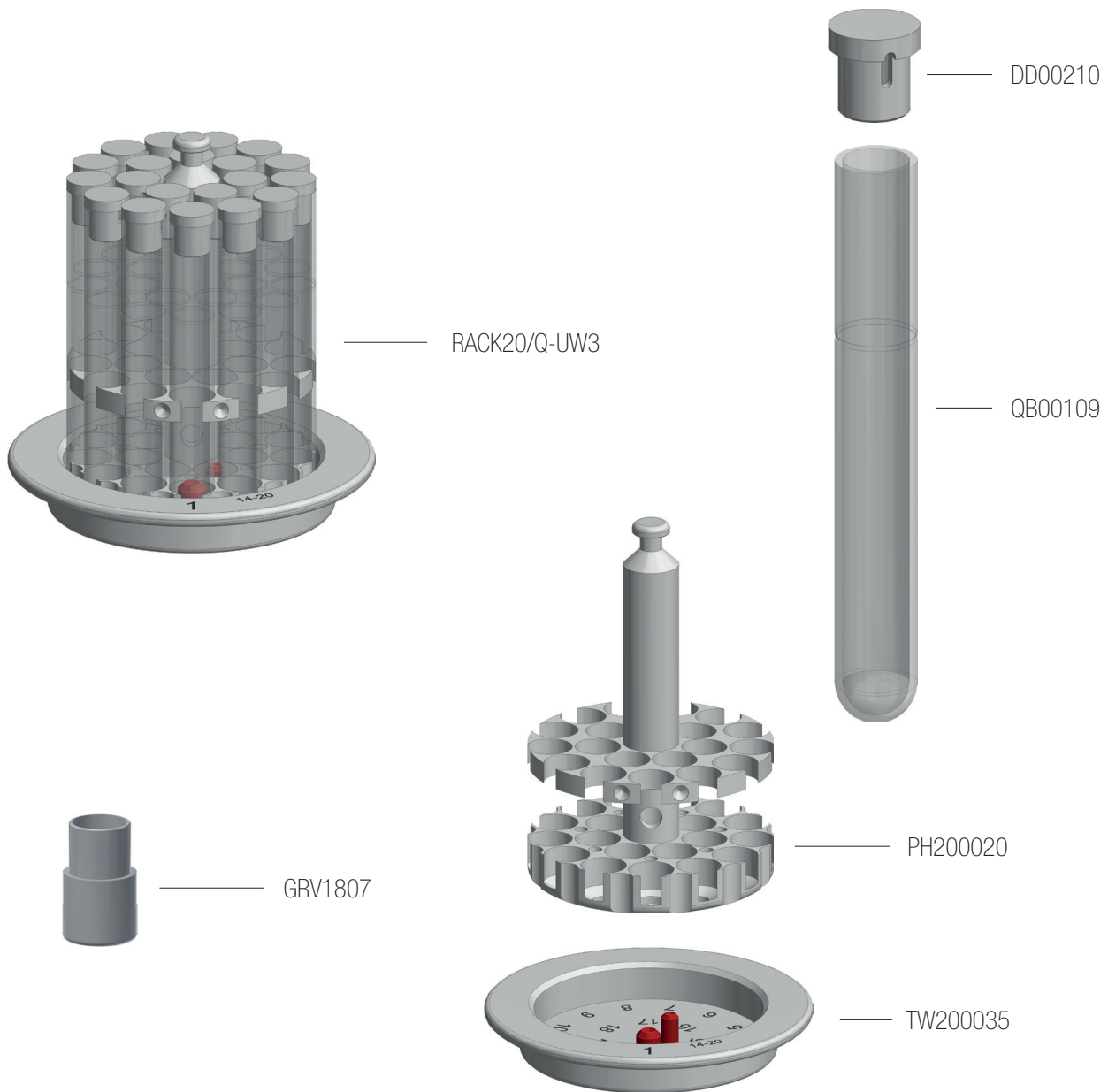
20 positions rack with GLASS vials and caps



P/N	Description
RACK20/G-UW3	20 positions rack with GLASS vials and caps
GRV1807	Weighing adapter
DD00210	PTFE cap for vial Ø 16 mm
70110A	Glass vials (disposable) set of 1000 pieces (Ø 16 mm x 100mm)
PH200020	Sample rack 20 positions Ø 16mm
TW200035	Rack bottom plate with 20 numbered positions

RACK20/Q-UW3

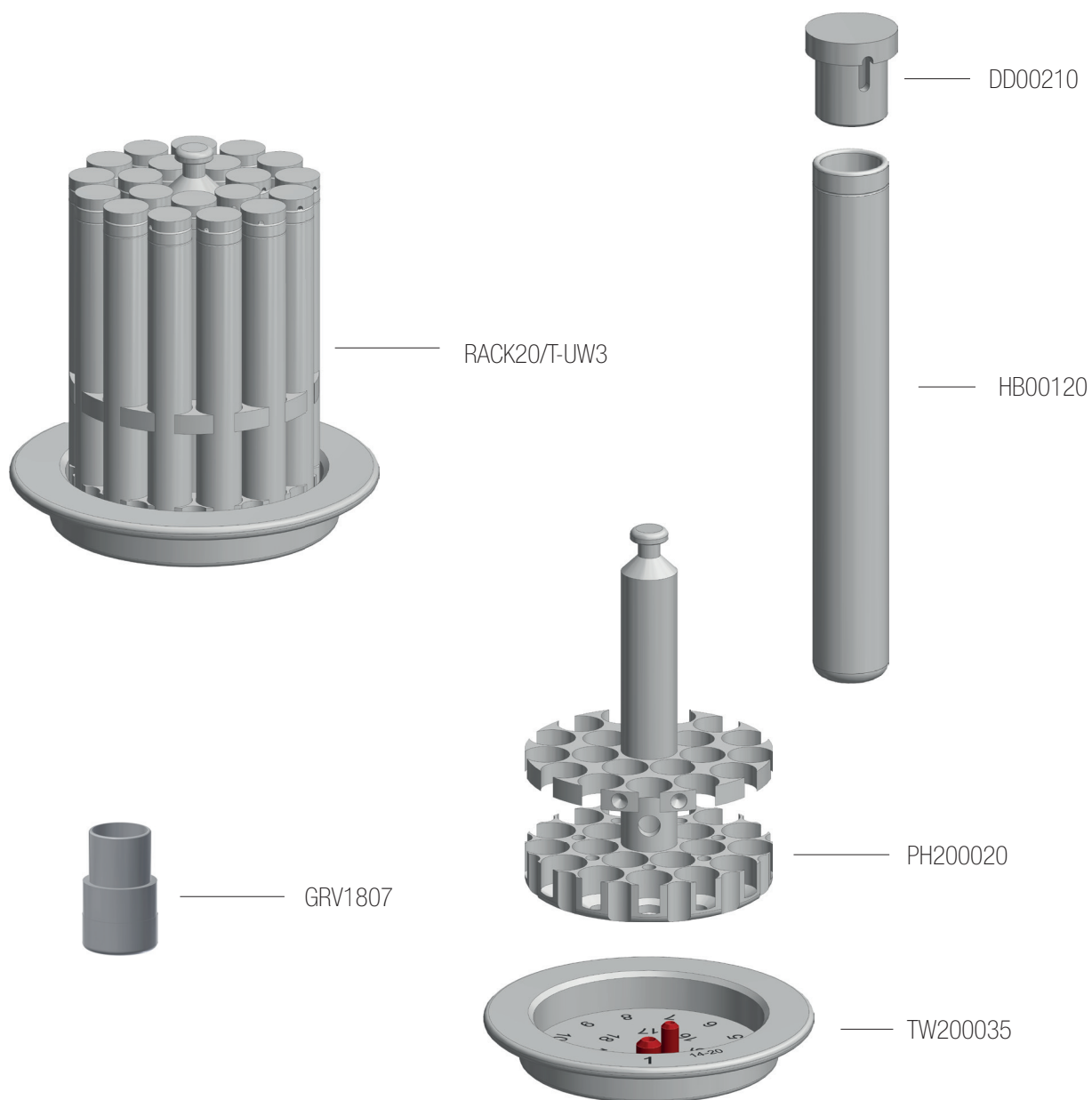
20 positions rack with QUARTZ vials and caps



P/N	Description
RACK20/Q-UW3	20 positions rack with QUARTZ vials and caps
GRV1807	Weighing adapter
DD00210	PTFE cap for vial Ø 16 mm
QB00109	Quartz vial 16/115 (Ø 16 mm/13 mm x 115 mm) ca. 15 ml
PH200020	Sample rack 20 positions Ø 16mm
TW200035	Rack bottom plate with 20 numbered positions

RACK20/T-UW3

20 positions rack with TFM vials and caps



P/N	Description
RACK20/T-UW3	20 positions rack with TFM vials and caps
GRV1807	Weighing adapter
DD00210	PTFE cap for vial Ø 16 mm
HB00120	TFM vial 16/115 (Ø 16 mm/13 mm x 115 mm) ca. 15 ml
PH200020	Sample rack 20 positions Ø 16mm
TW200035	Rack bottom plate with 20 numbered positions

ultraWAVE 3 27 Position Racks

The ultraWAVE 3 rack accommodates vials of different materials such as PTFE/TFM, quartz or disposable glass, and all are fitted with loose TFM caps to ensure pressure equalization. The Numbered rack tray provides the user with an easy visual indication of the vial number. Different vials material can be used along the same run.

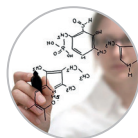
| SAMPLE TYPE



Biological



Food



Research

| SAMPLE AMOUNT



Small



Medium



Large



Extra Large

| RACKS MATERIAL



Glass

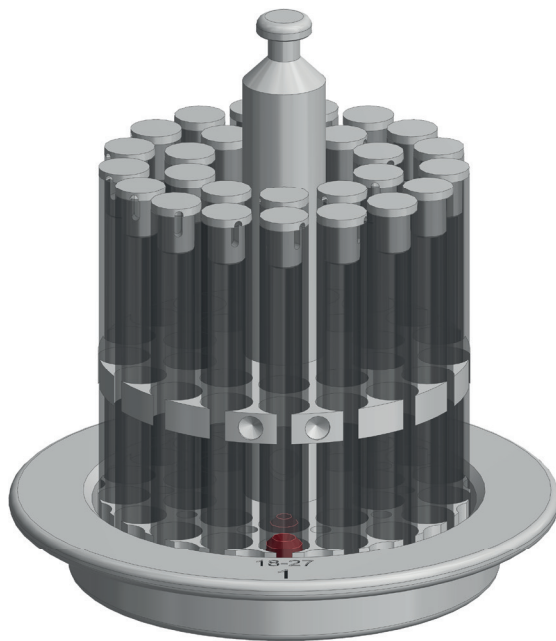


PTFE/TFM



Quartz

ultraWAVE 3 27 Position Racks



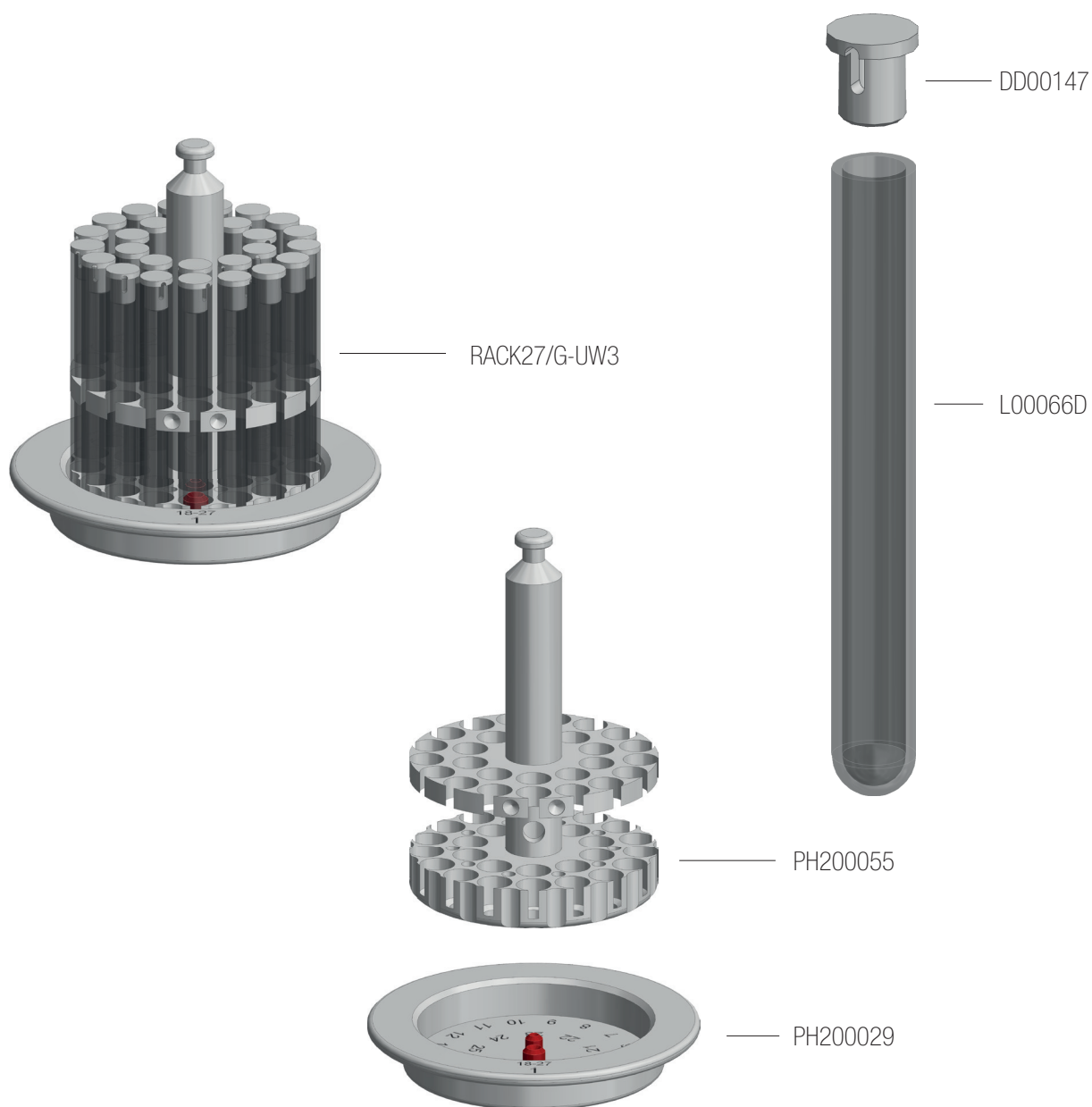
- RACK27/G-UW3 +
- RACK27/Q-UW3 +
- RACK27/T-UW3 +

P/N	Description
RACK27/G-UW3 +	27 positions rack with GLASS vials and caps
RACK27/Q-UW3 +	27 positions rack with QUARTZ vials and caps
RACK27/T-UW3 +	27 positions rack with TFM vials and caps

+ *Include subparts*

RACK27/G-UW3

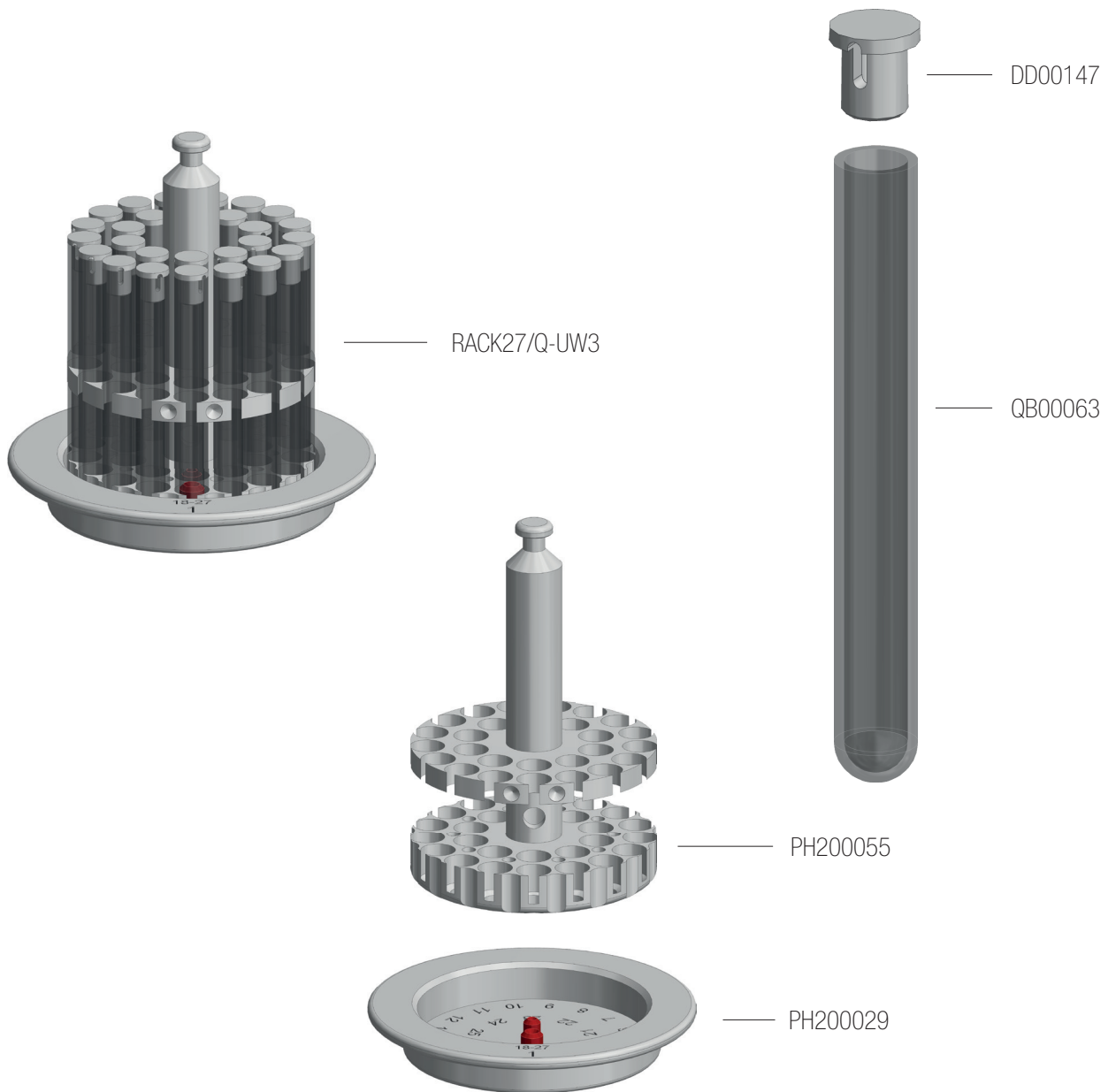
27 positions rack with GLASS vials and caps



P/N	Description
RACK27/G-UW3	27 positions rack with GLASS vials and caps
DD00147	PTFE cover for glass & TFM insert
L00066D	Glass vials (disposable) set of 250 pieces (Ø 12 mm x 100 mm) ca. 8 ml
PH200055	Sample rack 27 positions Ø 12mm
PH200029	Rack bottom plate with 27 numbered positions

RACK27/Q-UW3

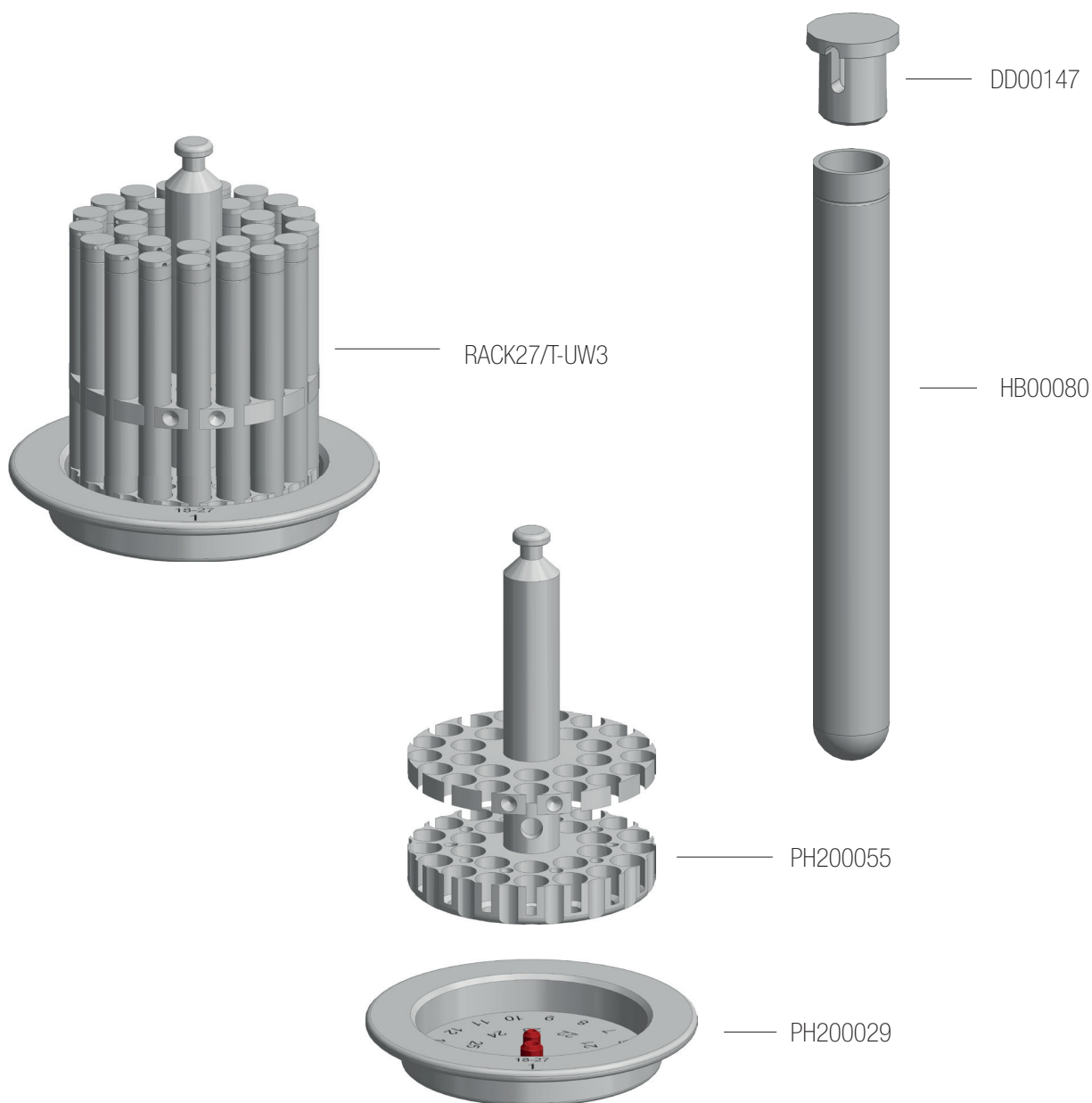
27 positions rack with QUARTZ vials and caps



P/N	Description
RACK27/Q-UW3	27 positions rack with QUARTZ vials and caps
DD00147	PTFE cap for vial Ø 12 mm
QB00063	Quartz vial 12/95 (Ø 12 mm/9 mm x 95 mm) ca. 6 ml
PH200055	Sample rack 27 positions Ø 12mm
PH200029	Rack bottom plate with 27 numbered positions

RACK27/T-UW3

27 positions rack with TFM vials and caps



P/N	Description
RACK27/T-UW3	27 positions rack with TFM vials and caps
DD00147	PTFE cap for vial Ø 12 mm
HB00080	TFM vial 12/100 (Ø 12 mm/10 mm x 100 mm) ca. 7 ml
PH200055	Sample rack 27 positions Ø 12mm
PH200029	Rack bottom plate with 27 numbered positions

ultraWAVE 3 40 Position Racks

The ultraWAVE 3 rack accommodates disposable glass vials and all are fitted with loose TFM caps to ensure pressure equalization. The Numbered rack tray provides the user with an easy visual indication of the vial number. Different vials material can be used along the same run.

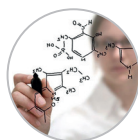
| SAMPLE TYPE



Biological



Food



Research

| SAMPLE AMOUNT



Small



Medium



Large



Extra Large

| RACKS MATERIAL



Glass

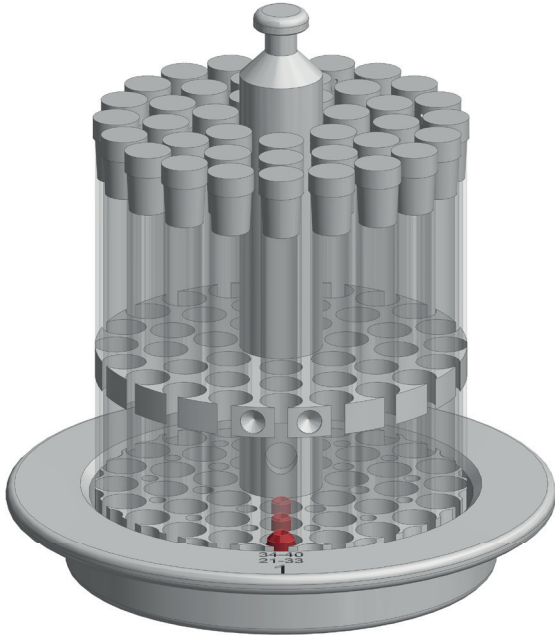


PTFE/TFM



Quartz

ultraWAVE 3 40 Position Racks



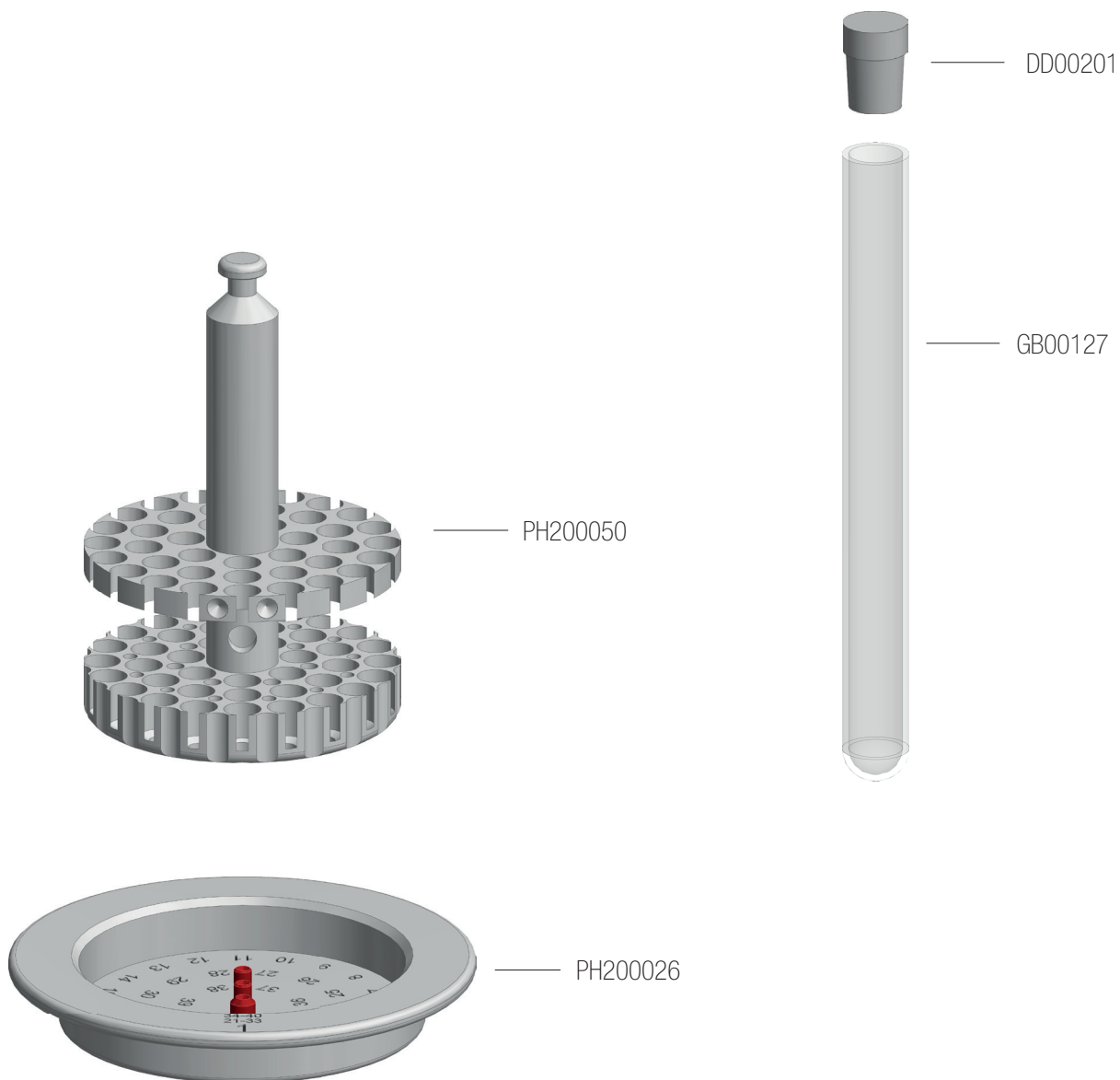
———— RACK40/G-UW3 +

P/N	Description
RACK40/G-UW3 +	40 positions rack with GLASS vials and caps

+ *Include subparts*

RACK40/G-UW3

40 positions rack with GLASS vials and caps



P/N	Description
PH200050	Sample rack 40 positions Ø 10mm
PH200026	Rack bottom plate with 40 numbered positions
DD00201	PTFE cap for vial Ø 10 mm
GB00127	Glass vials (Ø 10 mm/8 mm x 100 mm) ca. 5 ml